

IN-LINE CAPPER

CVC 1206H



The CVC 1206H Capper is a very flexible machine designed to apply and tighten screw-on caps onto containers at rates of up to 150 bottles per minute.

The CVC 1206 is Siemens PLC controlled. The system is designed with two pair of belt tightening belt assemblies. Options include tower lamp, hopper level control, cap inspection (level cap, foil seal, and no cap), reject, and reject verification.

- Built to cGMP standards
- Stainless steel construction
- Quick and easy change over

STANDARD FEATURES

- Siemens PLC Controlled
- Cap tightening station with 2 belt tightening systems
- 9.1 cu ft. integrated cap hopper elevator
- ISO 9001:2000 certified

CVC 1200W ▼

[CAP ELEVATOR SORTER]



CVC 1206H + CVC1200W Technical Specifications

Type	U4
Productivity	Up to 180-200 BPM (base on 40-100 cc round bottle,subject to trial confirmation)
Applicable Size	Cap: Dia.: Ø30-80 mm (1 1/4" to 3") ; Height: 10-25 mm(3/8" to 1") Bottle: Dia.: Ø30-110 mm (1 1/4" to 4 1/4") with Cap Height: 50-220 mm (2" to 8 1/2")
Hopper Capacity	220 L (7.8 Cuft)
Power Source	220 V, 50/60 HZ, 1 PH
Power Consumption	CVC 1206H: 1,320 VA (6 A) CVC 1200W: 220 VA (1 A)
Air Pressure	6 bar (87psi)
Air Consumption	CVC 1206H: 84 NL/min (2.9 CFM) CVC 1200W: 168 NL/min (5.8 CFM)
Machine Dimensions (L x W x H)	CVC 1206H: 1,460 x 1,065 x 2,420 mm (4'-10" x 3'-6" x 7'-11") CVC 1200W: 1,385x 1,225x 2,290 mm (4'-7" x 4' x 7'-6")
Machine Weight	CVC 1206H: 385 kg (849 lbs) CVC 1200W: 435 kg (959 lbs)
Noise Level	≤ 60 dB

Technical data contained in this material are not binding and may be subject to change without prior notice.

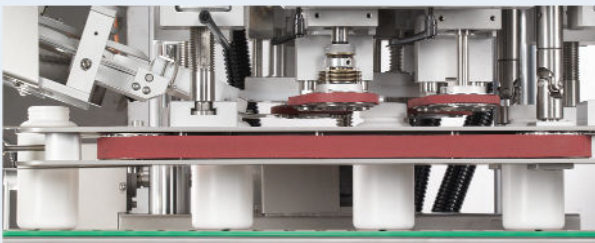
TECHNICAL SPECIFICATIONS

AVAILABLE OPTIONS

- Motorized sanitary conveyor (6" wide belt available)
- Tower lamp, hopper level control
- Cap inspection package (level cap, no cap, foil presence)
- Rejection system, reject confirmation
- Dual-belt gripping system
- 21 CFR Part 11 License

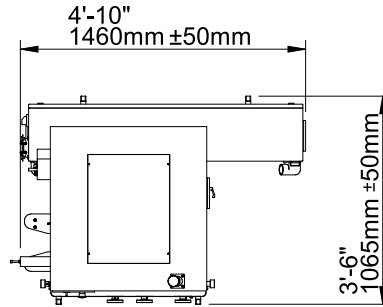


• CVC 1200K CENTRIFUGAL
CAP FEEDER

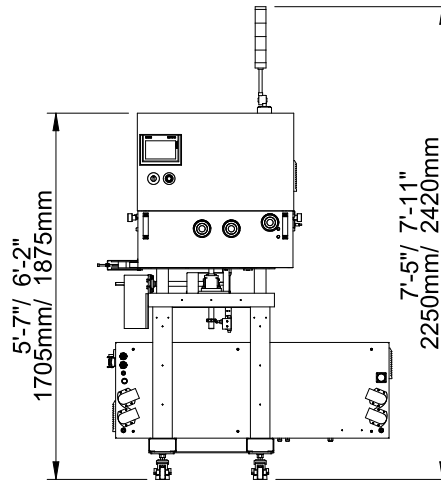


MACHINE LAYOUTS

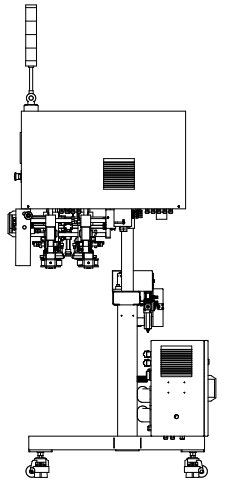
Top View



Front View



Side View



Technical data contained in this material are not binding and may be subject to change without prior notice.



CVC TECHNOLOGIES, INC.



Contact Us

USA

10861 Business Drive, Fontana, CA 92337
Phone: +1 (909) 355-0311
www.cvcusa.com ; www.cvctechnologies.com
sales@cvcusa.com

Taiwan-Asia Pacific Headquarters

Phone: +886 (4) 2496-3666
sales@cvctechnologies.com

India

Phone: +91 (22) 2562-1242, +91 (22) 2562-1243
sales@cvctechnologies.com

China

Phone: +86 (512) 8363-6368
sales@cvctechnologies.com